

Specifications

Model	TZ-34/20	
Measurements	Metric	US
Working height*	12.36 m	40 ft
Platform height	10.36 m	34 ft
Entry height - extended	0.16 m	6.4 in
Horizontal reach	5.59 m	18 ft 4 in
Clear out reach	4.09 m	13 ft 5 in
Up and over clearance	4.90 m	16 ft 1 in
A Platform length	0.68 m	2 ft 2.8 in
B Platform width	1.12 m	3 ft 8 in
C Height - stowed	1.94 m	6 ft 4.5 in
D Length - stowed	5.50 m	18 ft 0.5 in
E Width - stowed	1.45 m	4 ft 9.1 in
F Ground clearance	0.24 m	9.5 in
G Length - outrigger footprint	3.26 m	10 ft 8.4 in
H Width - outrigger footprint	3.59 m	11 ft 9.4 in

Productivity

Lift capacity - standard	200 kg	440 lbs
Lift capacity - rotating platform	181 kg	400 lbs
Self leveling platform	standard	
Platform rotation option	90° mechanical	
AC power to platform	standard	
Turntable rotation	359° non-continuous	
Outrigger leveling capability	11°	
Towing speed rate	97 km/h	60 mph
Tongue weight **	74 kg	163 lbs
Surge and parking brakes	standard	
Controls	variable speed system	
Tyre size	185R - 14C	
Coupler	5.08 cm (2 in) ball coupler	

Power

Power source	24V DC (four 6V 225Ah batteries)	
Hydraulic tank capacity	14.57 L	3.85 gal
Hydraulic system capacity	17 L	4.5 gal

Sound & Vibration Levels

Sound pressure level (ground workstation)	<70 dBA	<70 dBA
Sound pressure level (platform workstation)	<70 dBA	<70 dBA
Vibration	<2.5 m/s ²	<8 ft 2 in/s ²

Weight**

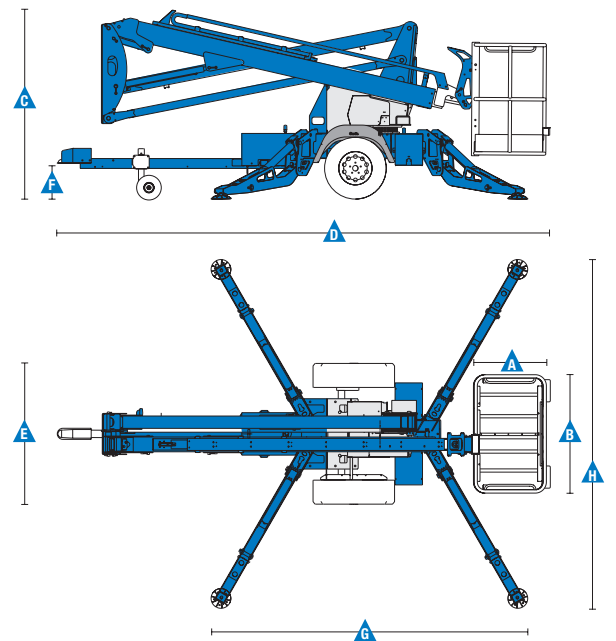
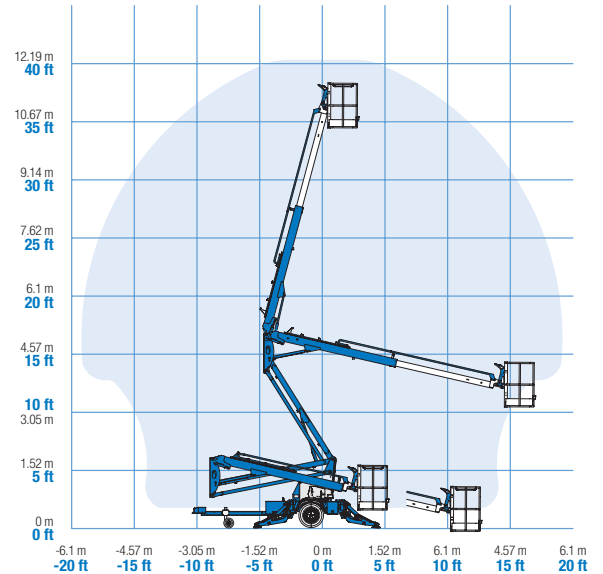
Weight CE	1,438 kg	3,170 lbs
Unit weight modifiers for main options		
Bicycle guard:	add 15 kg	add 32 lbs
Full size spare tyre:	add 27 kg	add 60 lbs

Standards Compliance

EU Directives: 2006/42/EC - Machinery (harmonized standard EN280:2013); 2004/108/EC (EMC); 2006/95/EC (LVD); 2000/14/EC (Outdoor Noise)

* The metric equivalent of working height adds 2 m to platform height. U.S. adds 6 ft to platform height.
** Weight will vary depending on options and/or country standards.

Range Of Motion TZ-34/20



Features

Standard Features	Easily Configured To Meet Your Needs	Options & Accessories
-------------------	--------------------------------------	-----------------------

Measurements

- 12.36 m (40 ft) working height
- 5.59 m (18 ft 4 in) horizontal reach
- Up to 227 kg (500 lbs) lift capacity

Productivity

- Industry leading working envelope
- Extension boom
- Self-levelling platform
- Variable speed control system
- AC wiring to platform
- Hydraulic outriggers
- Automatic 11° levelling system
- Outrigger interlocks
- Mechanical parking brake
- Hydraulic surge brakes
- Auxiliary pump down
- 5.08 cm (2 in) ball coupler
- Hitch pull bar
- Single jockey wheels
- 359° non-continuous turntable rotation
- Easy to access batteries
- Hour meter
- Tilt alarm / sensor
- Forklift pockets
- Illuminated outrigger indicators
- Wheel chocks
- Spare tyre
- Battery charge indicator (BCI)
- Certified load sensor
- Telematics-Ready Connector

Power

- 24V DC power source (four 6V 225 Ah batteries)

Platform Options

- Aluminum 0.68 x 1.12 m (26.8 x 44 in)
- 90° mechanical platform rotation ⁽¹⁾

Power

- 24V DC power source

Coupler

- 5.08 cm (2 in) ball coupler

Tyres

- 185 R14C
- Dual jockey wheels (optional)

Productivity

- Power to platform (incl. plug, socket and ground fault interrupt leakage on request)
- Track & Trace ⁽²⁾ (GPS unit providing machine location & operating information)
- Low temperature cut-out module
- Non-marking outrigger footpads
- Bicycle guard ⁽³⁾
- Horn
- Flashing Beacon
- Fluorescent tube caddy
- Tool tray



⁽¹⁾ Factory-fit option only
⁽²⁾ Includes a first 2 years subscription
⁽³⁾ Mandatory for France, Denmark, Netherlands

United Kingdom and MESART

The Maltings, Wharf Road, Grantham NG31 6BH, T: +44 800 988 3739 (toll free), Fax +44 (0)1476 584334, Email AWP-InfoEurope@terex.com
 Middle East, Southern Africa, Russia and Turkey, T: +971 4 399 0381, Email AWP-InfoME@terex.com
 Visit www.genielift.com/en-gb/about-genie/locations to view our global locations list.

Worldwide Manufacturing And Distribution

Australia · Brazil · Caribbean · Central America · China · France · Germany · Italy · Japan · Korea · Mexico · Russia · Southeast Asia · Spain · Sweden · United Arab Emirates · United Kingdom · United States

Product specifications and prices are subject to change without notice or obligation. The photographs and/or drawings in this document are for illustrative purposes only. Refer to the appropriate Operator's Manual for instructions on the proper use of this equipment. Failure to follow the appropriate Operator's Manual when using our equipment or to otherwise act irresponsibly may result in serious injury or death. The only warranty applicable to our equipment is the standard written warranty applicable to the particular product and sale and we make no other warranty, express or implied. Products and services listed may be trademarks, service marks or trade names of Terex Corporation and/or their subsidiaries in the USA and many other countries. Genie is a registered trademark of Terex South Dakota, Inc. © 2019 Terex Corporation.

