

KL32

KLUBB®

CONFIDENCE AT ITS HIGHEST LEVEL

AERIAL PLATFORM MOUNTED ON VAN



Working height

New model
140 kg
additional
payload



SCANDLIFT
031-92 33 60
<https://www.scandlift.se/>
Indiska Oceanen 1
400 92 Göteborg Sweden

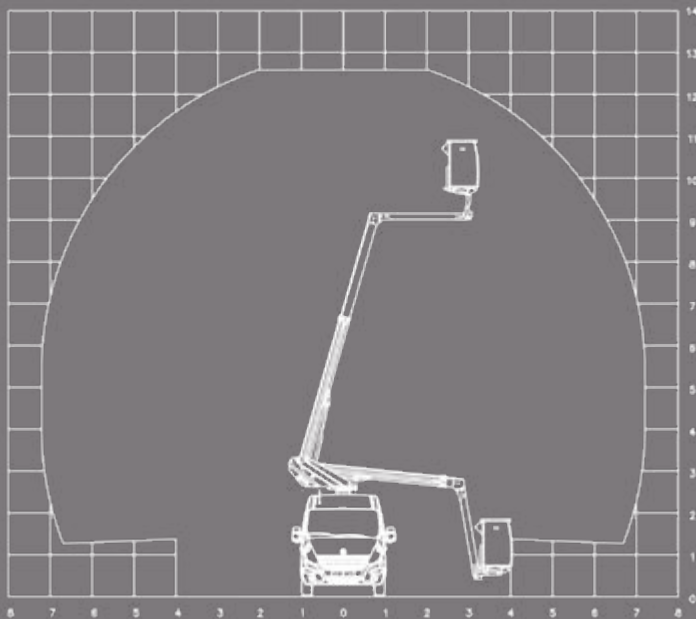


KL32 TELESCOPIC AERIAL PLATFORM

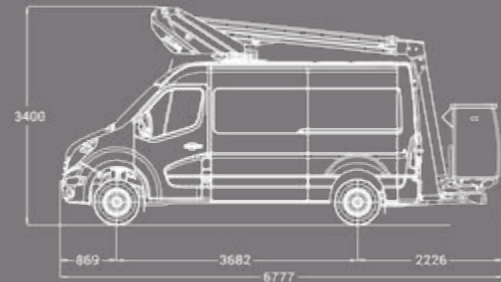
mounted on van



WORKING DIAGRAM



VEHICLE DRAWING



STANDARD SPECIFICATIONS

- 140kg additional payload compared to previous model
- Engine start and stop from basket
- Independant emergency electric pump with all the features in the basket for maximum security
- Proportional controls on all movements
- Secure access to the working platform
- Hoses and cables are inside the boom structure for maximum protection
- Aluminium boom for optimum stability

AERIAL PLATFORM OPTIONS

- *2 men basket (200kg) with outriggers
- Signaling devises (triflash, 2 flashing lights, reflective strips)
- 220V electric socket in the basket
- Trailer hook
- Reinforced suspensions
- Fully opening insulating baasket
- Custom fitting out of vehicles
- Side ladder rack
- Rotating basket
- Green Pack: the platform can be operated with the van engine turned off

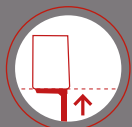
For more platforms options, please contact us before order



12.50m
(41'0")



7.30m
(23'11")



10.50m
(34'2")



360°



120kg
*200kg



No outriggers
*2 outriggers



86 x 72 x 110cm
*125 x 75 x 110cm



Hour
counter



≤3.5 T



POSSIBLE TYPES OF VEHICLES

- RENAULT MASTER L2H2
- OPEL MOVANO L2H2
- NISSAN NV400 L2H2
- IVECO DAILY (wheelbase 3520)
- MERCEDES SPRINTER (wheelbase 3665)
- VOLKSWAGEN CRAFTER (wheelbase 3640)
- FORD TRANSIT L2H2
- FIAT DUCATO MH2

/ DEMONSTRATION ON DEMAND

For vehicle options, please contact us before ordering

